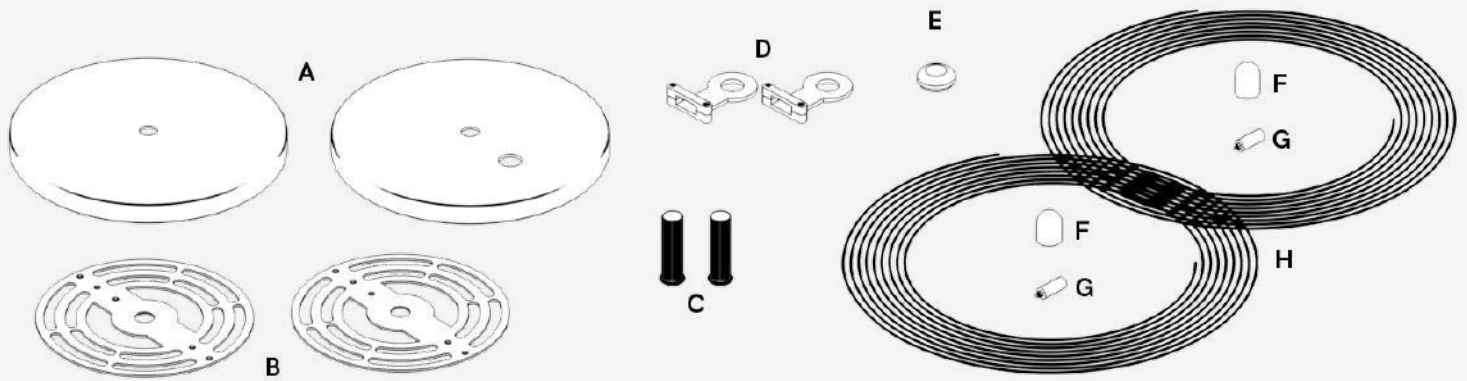


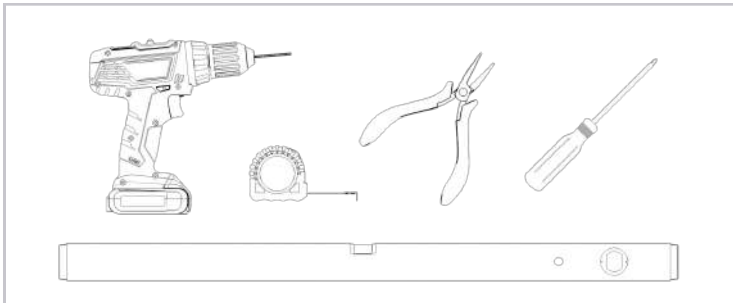
XTR J-box installation



Two preinstalled octagon shape j-boxes or j-box with round cover recommended for the proper and clean installation.

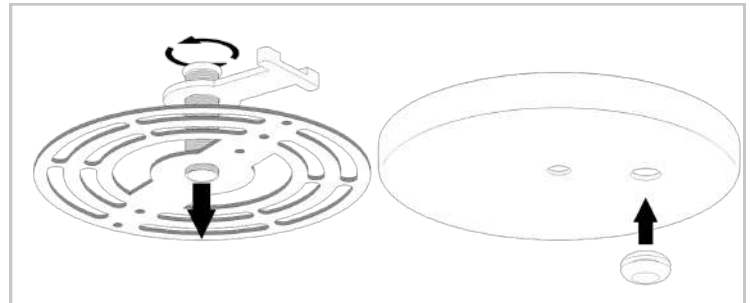
- A:** 2 x J-Box canopies
- B:** 2 x Mounting plates
- C:** 2 x Hanger bolts
- D:** 2 x Cable retainers
- E:** 1 x Cable bushing
- F:** 2 x Aircraft cables 16ft
- G:** 2 x Aircraft cable caps
- H:** 2 x Grippers

Step-by-step instructions



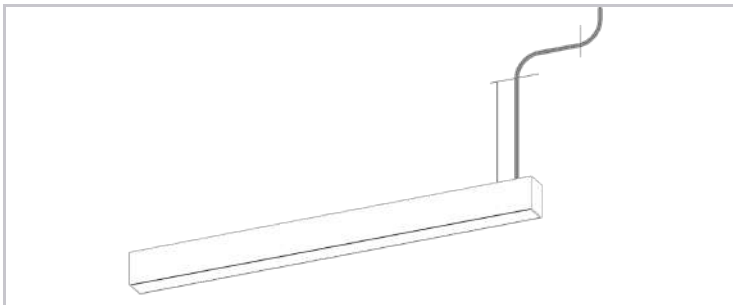
Step 1 - Getting ready

Prior to installation, make sure nothing is missing from the list above; the electrical power is off, and necessary tools are handy.



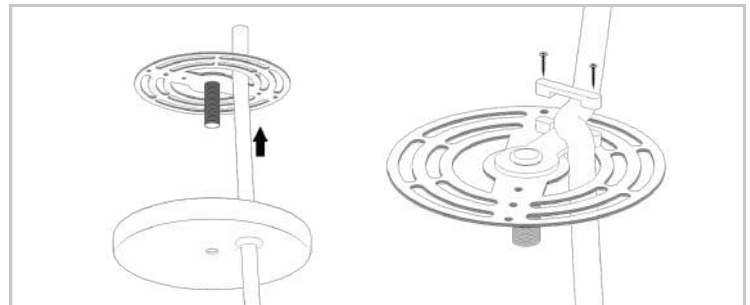
Step 2 - Preparing the mounting plates

Insert the hanger bolt into the cable retainer, and screw it through the mounting plate. Fit the cable bushing on the canopy plate with the power feed opening.



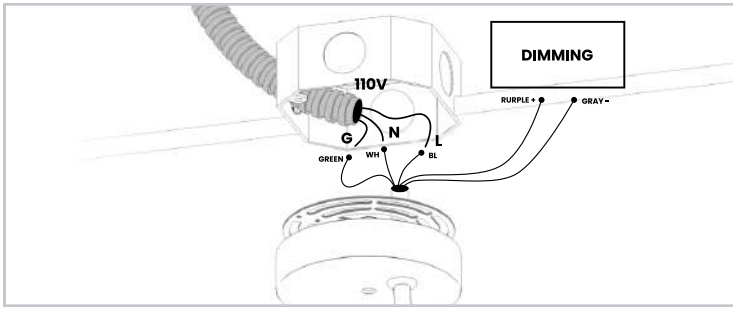
Step 3 - Taking measurements

Measure the desired height from the fixture to the ceiling. The aircraft and power feed cables are 16 ft long and the fixture can be placed within that distance.



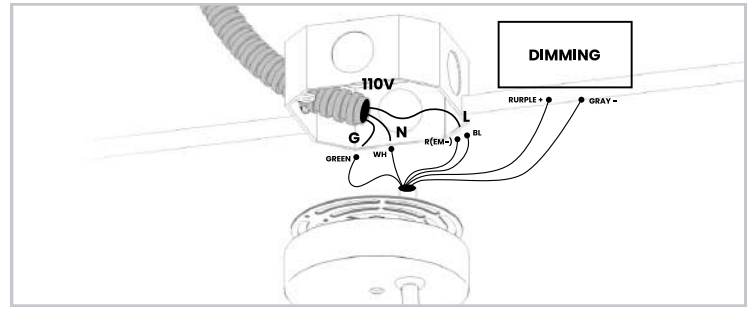
Step 4 - Securing the cable

Pull the feeding cable through the cable bushing and the mounting plate. Secure at least 6 inches of the line on the mounting plate in the cable retainer using two small screws.



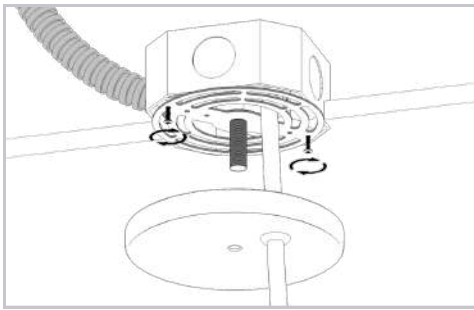
Step 5 - Wiring (Without emergency)

Connect the feeding cable wires according to the preinstalled electrical wires inside the J-box



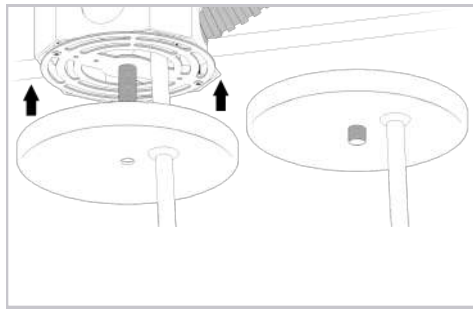
Step 5.1 - Wiring (With emergency)

Connect the feeding cable wires according to the preinstalled electrical wires inside the J-box



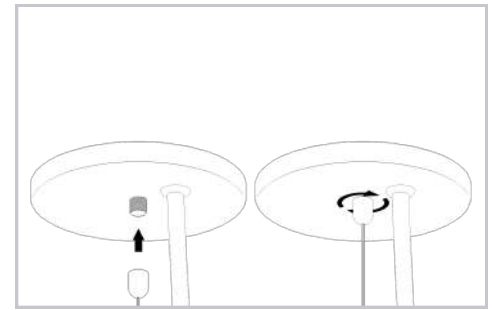
Step 6 - Secure mounting plate

Fasten the mounting plate to the J-box with provided screws.



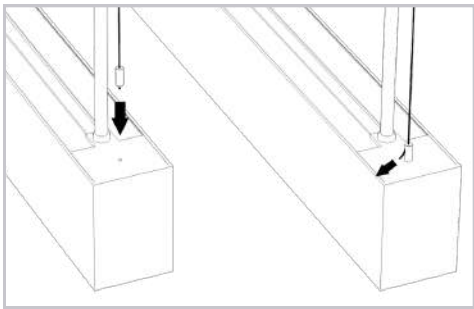
Step 7 - Placing the canopy

Insert the canopy cover plate through the hanger bolt and securely place it on the j-



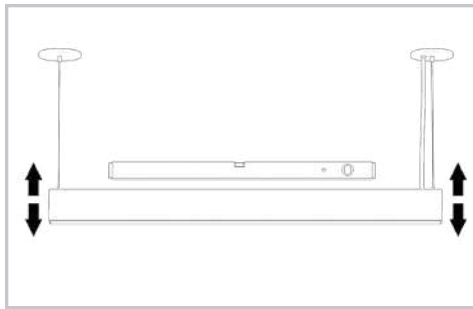
Step 8 - Suspend

Attach the aircraft cable by screwing the cable cap onto the hanger bolt.



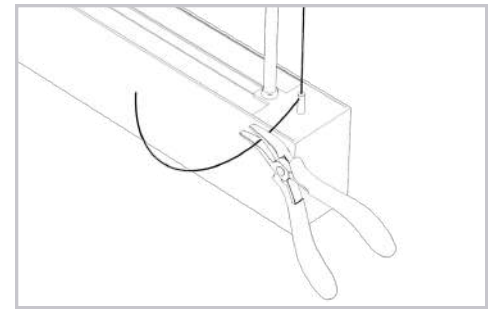
Step 9 - Attaching the aircraft cable

Screw the gripper in the center hole of the bracket, all the way in. Make sure it's in all the way, tight and secure. Push the aircraft cable in to adjust the desirable length, ensuring that the fixture is level.



Step 10 - Adjust height and level

Adjust level and height



Step 11 - Final Adjustments

Ensure that the fixture is level, cut and discard unnecessary length of aircraft cable. Clean the fixture. The installation is complete.