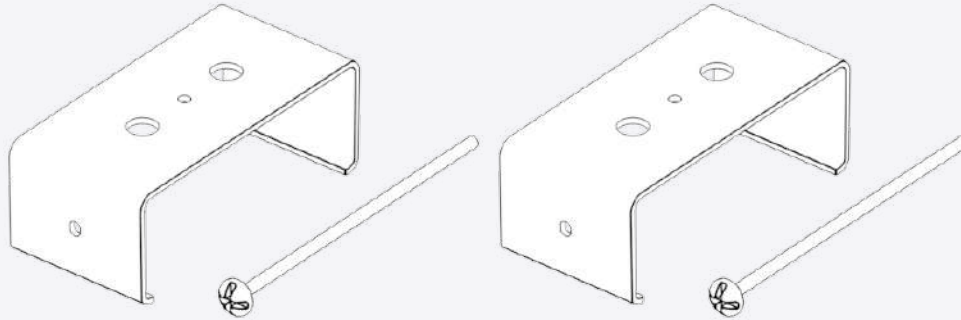
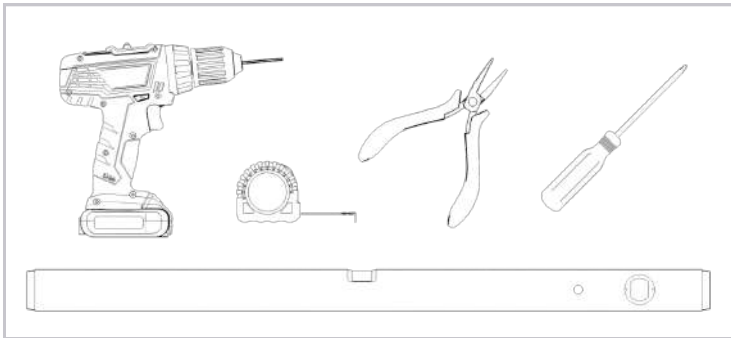


Surface mount – Limited installation option



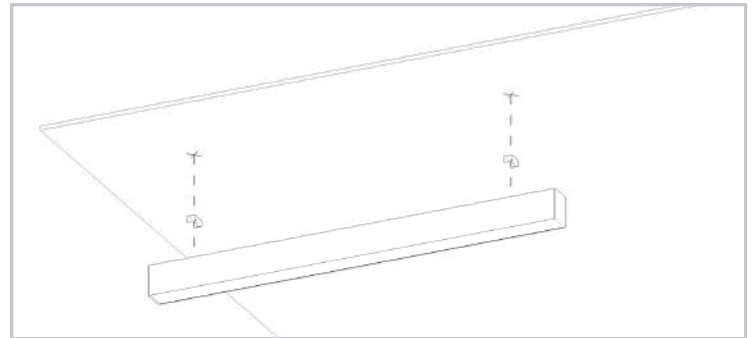
You only need the brackets and bracket pins from the kit provided.

Step-by-step instructions



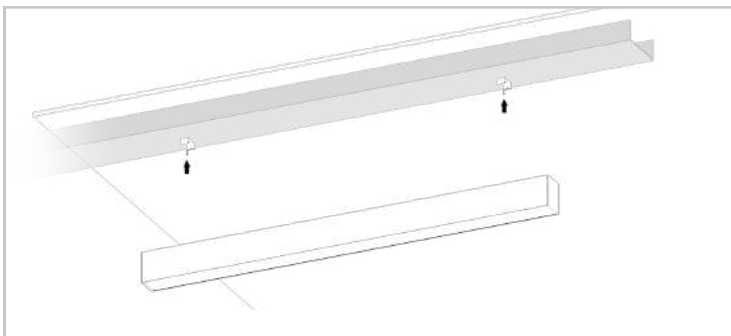
Step 1 - Getting ready

Prior to installation, make sure nothing is missing from the list above; the electrical power is off, and necessary tools are handy.



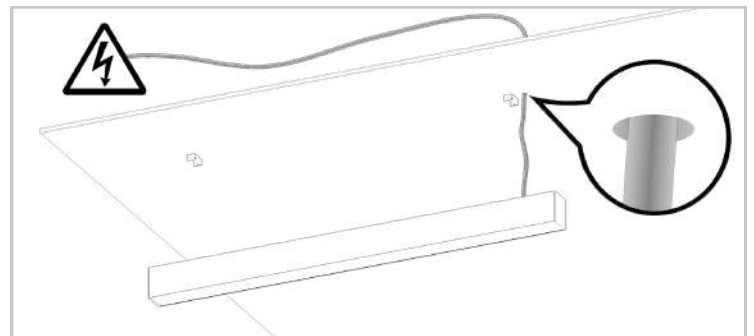
Step 2 - Ceiling Measurements

Measure and mark the desirable distance for mounting clips on the ceiling. The distance is fully adjustable within the fixture's length.



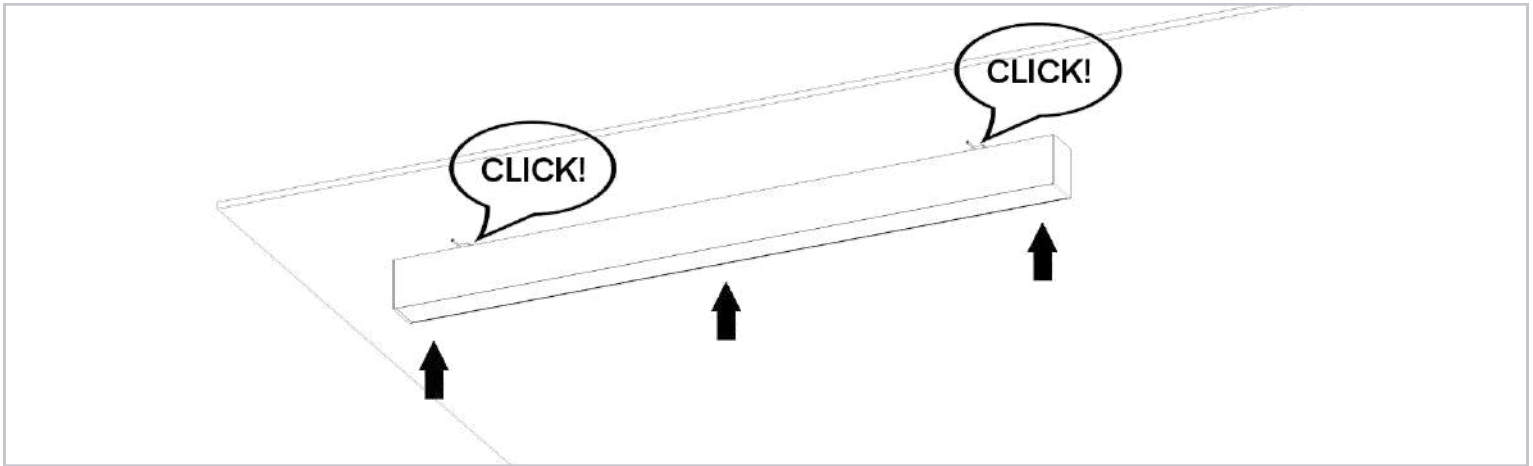
Step 3 - Mounting clips

Mount each clip on the ceiling with the screws using all three holes for the most secured installation. Insert the secure pin into the side hole but don't fasten it all the way in just yet.



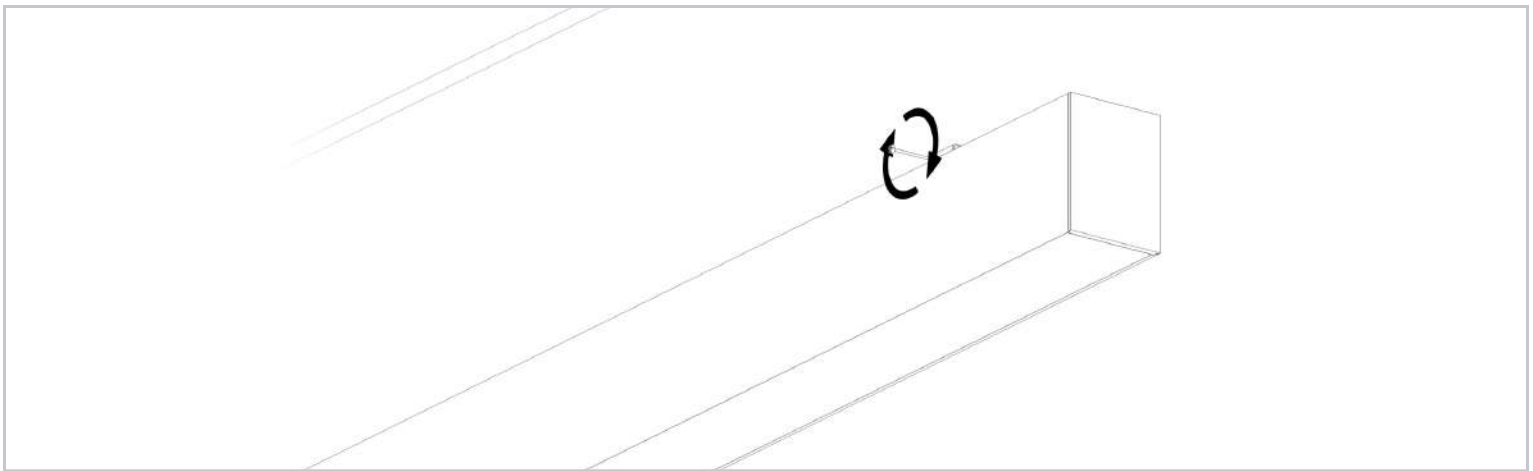
Step 4 - Wiring

Run the wire through the mounting surface to your j-box location. Please note that this is a limited mounting option and we require you to check your local code for the proper wiring connection.



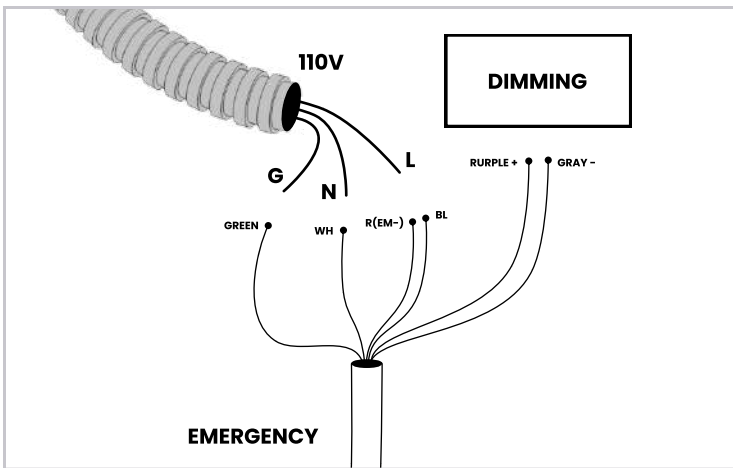
Step 5 - Placing the fixture

Snap the fixture into mounting clips.



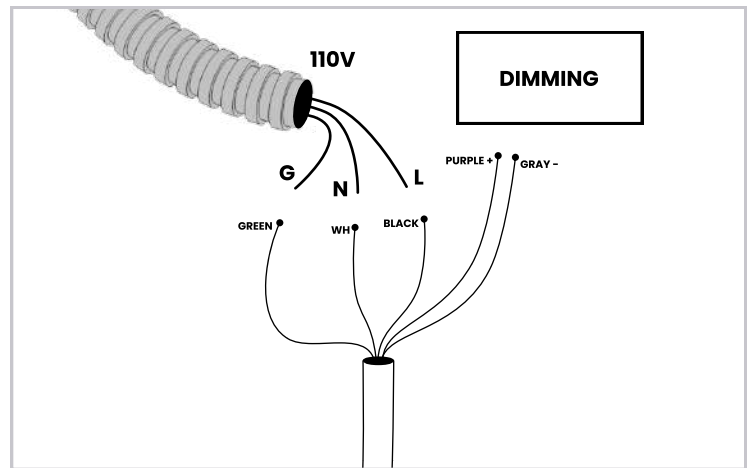
Step 6 - Fixing in place

Adjust the location by sliding in brackets, fasten the mounting clips in all the way



Step 6 - Connect wires (with Emergency)

Finish wiring



Step 6.1 - Connect wires (without Emergency)

Finish wiring